

pneumatico[®]
nailing machines

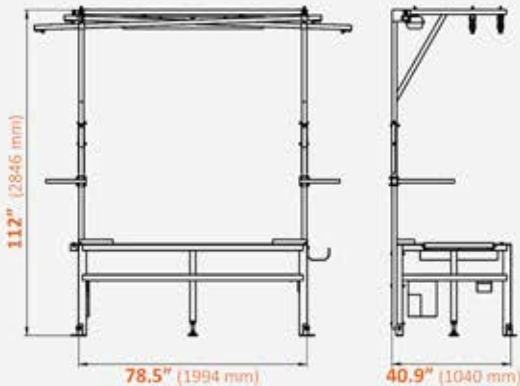
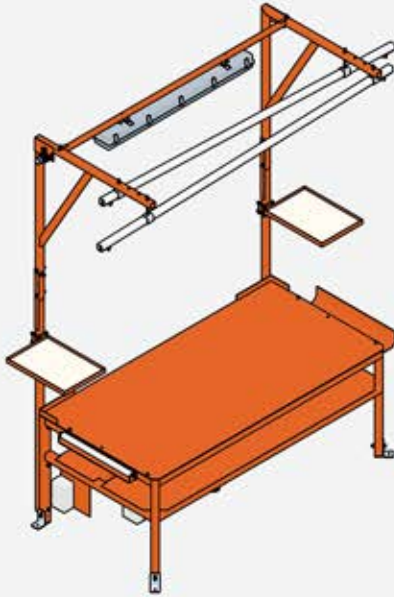
PALLET REPAIR TABLE



PALLET REPAIR TABLE **pneumatico**® nailing machines

WT1

The **PNEUMATICO WT1** repair table is the basic version of the pallet repair table. It is an economical design to which we have borrowed many solutions from our higher model. As with all Pneumatico products, ergonomics was important to us.



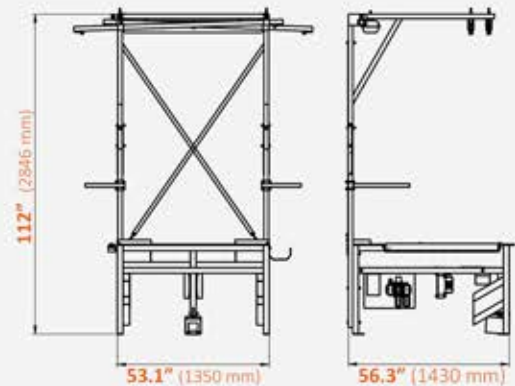
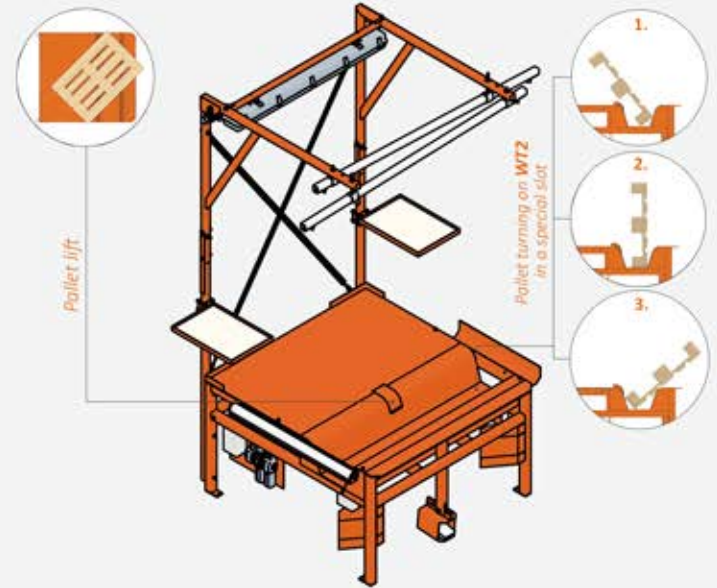
Benefits

Innovations:

- corners of table top bevelled at 45 degrees - reduced blade usage,
- electrical installation hidden inside the table,
- led lighting,
- shelves and rollers can be fitted on both sides,
- specially designed rail system- automatic nail gun return,
- locks can be fixed on the table,
- possibility of fitting blocking screws to prevent the pallet from sliding on the table,
- table weight: 573 lb (260 kg),
- worktop thickness: 0.2" (6 mm).

WT2

The **PNEUMATICO WT2** repair table is a step-change in the pallet repair process. The table is provided with a pneumatic lift that allows for 360-degree rotation of the pallet and a slot for turning the pallet over. This reduces worker effort and increases productivity.



Benefits

Innovations:

- corners of table top bevelled at 45 degrees - reduced blade usage,
- electrical installation hidden inside the table,
- led lighting,
- shelves and rollers can be fitted on both sides,
- specially designed rail system- automatic nail gun return,
- pallet-turning slot,
- pneumatic lift- allows for pallet rotation,
- possibility of fitting blocking screws to prevent the pallet from sliding on the table,
- adjustable pallet lifting pedal in the centre of the table,
- table weight: 717 lb (325 kg),
- worktop thickness: 0.3" (8 mm).



Your company and employees receive:

- a smart design, manufactured in the EU (Poland),
- a high-quality product at an affordable price,
- a solid steel work top,
- very well lighted workstation - central power and compressed air connection,
- pallet recycling to help protect the environment.

